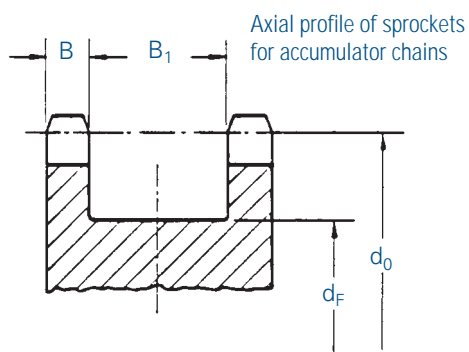




SPROCKETS FOR ACCUMULATOR CHAINS

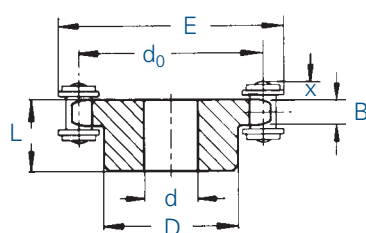
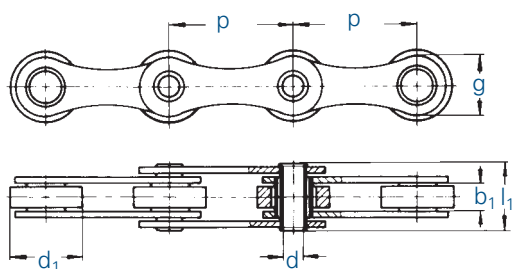


Chain	B ₁	B ₂
No.	mm	mm
513 SF	10,6	20,80
513 SFK	10,6	20,80
513 SFV	10,6	20,80
Pitch	p	= 19,05
Roller Ø	d ₁	= 12,00
Inner width	b ₁	= 11,68

Number of teeth z	PCD d ₀	Pilot bore Ø	Hub-Ø d _F between sprockets
15 + 15	91,62	20	61
17 + 17	103,67	20	73
19 + 19	115,73	20	85

Other sprockets made of stainless steel or plastic are available on request.

SPROCKETS FOR HOLLOW PIN CHAINS 01650

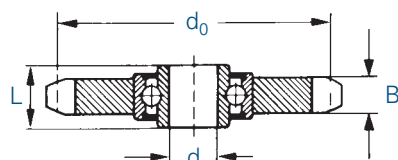
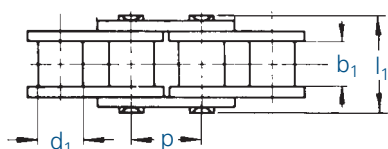


Chain	Pitch	Inner width	Roller Ø	Hollow pin Ø	Width over hollow pin	Plate height	Number of teeth	Sprocket dimensions						
								B ₁	d ₀	d	D	L	E max.	x
No.	mm	mm	mm	mm	mm	mm		mm	mm	mm	mm	mm	mm	mm
01650	50,8	10	30	8,2	27	26	7	9	117,08	20	80	40	148	10
01650	50,8	10	30	8,2	27	26	12	9	196,28	30	110*	50	227	10
01650	50,8	10	30	8,2	27	26	15	9	244,33	30	120*	50	275	10
01650	50,8	10	30	8,2	27	26	18	9	292,55	30	140*	50	323	10

* welded hub

We supply sprockets with custom bore and groove according to specifications.

SPROCKETS WITH INTEGRATED BALL BEARING



Chain	DIN	Pitch		Inner width	Roller Ø	Width over pin	Jockey sprocket	Number of teeth	d ₀	B ₁	Bearing		Load ratings	
		p									d	L	C	C ₀
No.	No.	mm	inch	mm	mm	mm	No.		mm	mm	mm	mm	kN	kN
455	06B-1	9,525	3/8	5,72	6,35	13,5	SPR 455	21	63,91	5,3	16	18,3	7,5	4,5
331	081	12,7	1/2	3,30	7,75	10,2	SPR 331	18	73,14	3,0	16	18,3	7,5	4,5
332	-	12,7	1/2	4,88	7,75	11,2	SPR 332	18	73,14	4,5	16	18,3	7,5	4,5
462	08B-1	12,7	1/2	7,75	8,51	17,0	SPR 462	18	73,14	7,2	16	18,3	7,5	4,5
501	10B-1	15,875	5/8	9,65	10,16	19,6	SPR 501	17	86,39	9,1	16	18,3	7,5	4,5
513	12B-1	19,05	3/4	11,68	12,07	22,7	SPR 513	15	91,62	11,1	16	18,3	7,5	4,5
548	16B-1	25,4	1	17,02	15,88	36,1	SPR 548	12	98,14	16,2	20	17,7	10,1	6,3
563	20B-1	31,75	1 1/4	19,56	19,05	43,2	SPR 563	13	132,67	18,5	25	21,0	11,0	7,1

Made of steel with a strength of 500 - 600 N/mm².