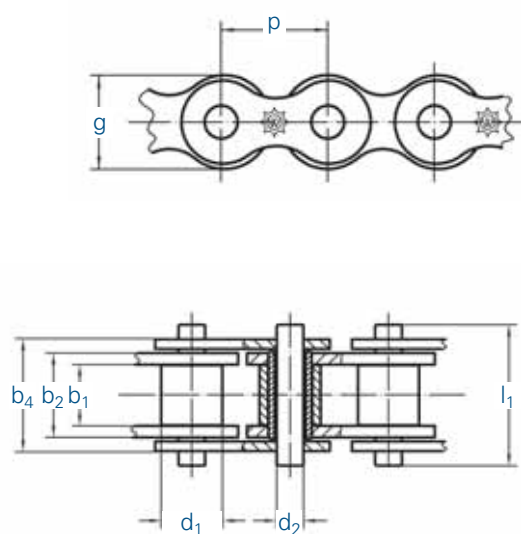
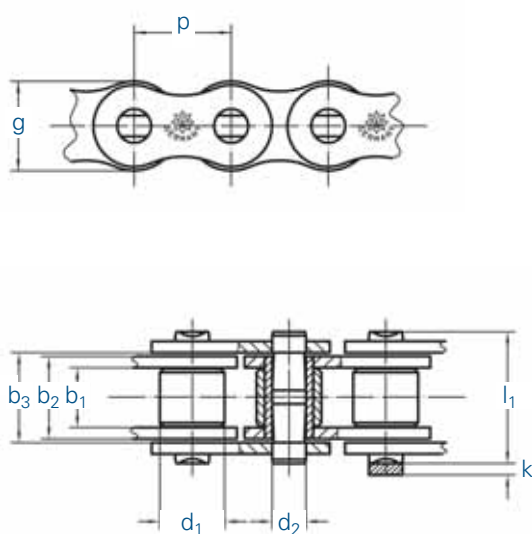
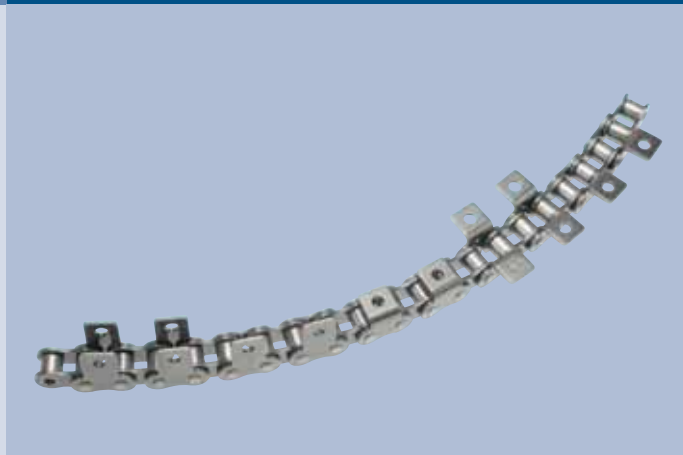




SIDE BOW CHAINS



Main dimensions according to DIN 8187

Chain		Pitch	Inner width	Inner link width	Outer plate width	Roller Ø	Pin Ø	Plate height	Projection over connecting link	Width over pin	Bearing area	Minimum tensile strength	Smallest possible side bow radius
⚙		p	b ₁ min.	b ₂ max.	b ₃ min.	d ₁ max.	d ₂ max.	g max.	k max.	l ₁ max.	f	F _B min.	r min.
No.	Ind.	mm	mm	mm	mm	mm	mm	mm	mm	mm	cm ²	kN	mm
462 SB		12,7	7,75	11,30	11,70	8,51	4,45	11,80	3,90	17,20	0,08	18,0	300
501 SB		15,875	9,65	13,28	13,70	10,16	5,08	14,70	4,10	19,60	0,09	22,4	400
513 SB		19,05	11,68	15,62	16,10	12,07	5,72	16,10	4,60	22,70	0,12	29,0	450
548 SB		25,4	17,02	25,40	27,20	15,88	8,28	21,00	5,40	37,40	0,21	60,0	500

Main dimensions according to DIN 8188

Chain		Pitch	Inner width	Inner link width	Outer plate width	Roller Ø	Pin Ø	Plate height	Projection over connecting link	Width over pin	Bearing area	Minimum tensile strength	Smallest possible side bow radius
⚙		p	b ₁ min.	b ₂ max.	b ₄ max.	d ₁ max.	d ₂ max.	g max.	k max.	l ₁ max.	f	F _B min.	r min.
Nr.	Ind.	mm	mm	mm	mm	mm	mm	mm	mm	mm	cm ²	kN	mm
ASA 40		12,7	7,85	11,15	14,40	7,95	3,45	12,00		18,20	0,38	10,5	250
ASA 40 RF		12,7	7,85	11,15	14,40	7,95	3,45	12,00		18,20	0,38	6,3	250
ASA 61	¹	19,05	13,00	17,70	22,70	11,91	5,08	15,90		29,10	0,89	28,0	400
ASA 61 RF	¹	19,05	13,00	17,70	22,70	11,91	5,08	15,90		29,10	0,89	15,0	400

¹ with straight inner plate