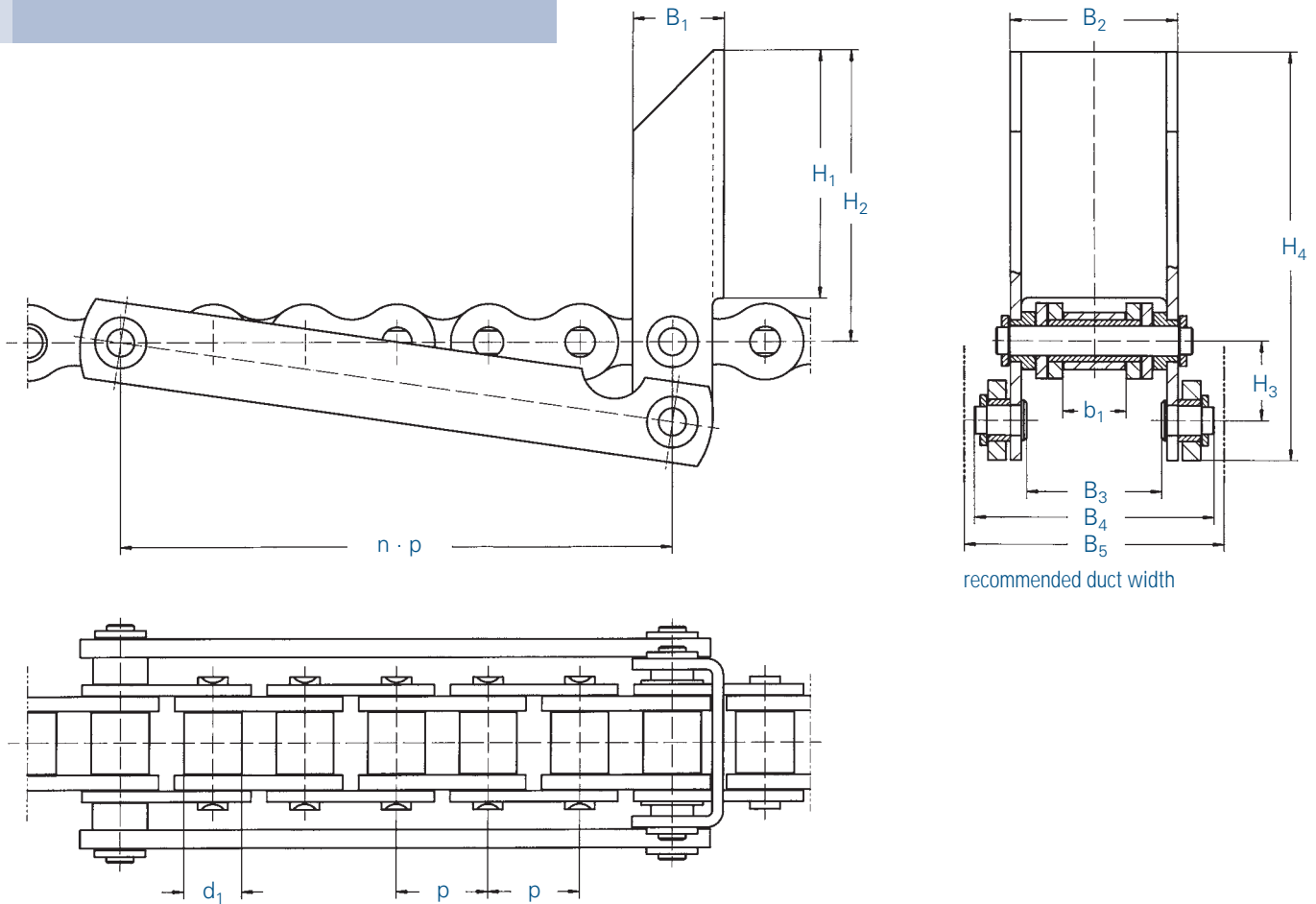




PUSHER DOG



During conveyance the WIPPERMANN pusher is at right angles to the chain. In the deflection phase it submerges under the transported material without damaging it.



recommended duct width

Chain	Sprockets		Pitch p	Inner width b ₁ min.	Roller Ø d ₁ max.	Pusher dog dimensions										Thrust max.	
	Number of teeth	Hub Ø max.				B ₁	B ₂	B ₃	B ₄	B ₅	H ₁	H ₂	H ₃	H ₄	n		
No.	Ind.		mm	mm	mm	mm	mm	mm	mm	mm	mm	mm	mm	mm	mm		kN
462 / M 120	¹⁰	20	32	12,7	7,75	8,51	18,0	25,0	19,0	35,0	40,0	22,0	29,0	11,0	46,0	5	0,5
501 / M 132	¹⁰	32	80	15,875	9,65	10,16	18,0	31,0	23,0	40,0	45,0	50,0	60,0	18,0	86,0	8	1,0
501 / M 133	¹⁰	24	60	15,875	9,65	10,16	18,0	31,0	23,0	40,0	45,0	50,0	60,0	14,0	82,0	6	1,0
548 / M 132	¹⁰	24	90	25,4	17,02	15,88	25,0	46,0	37,0	65,0	70,0	68,0	80,0	22,0	113,0	6	3,0

¹⁰ can also be supplied in stainless steel

All designs can also be supplied as Marathon roller chains (maintenance-free), Biathlon and Biathlon KS as well as in stainless steel! For details on orders and enquiries see page 129. For untoleranced dimensions DIN ISO 2768 c applies.