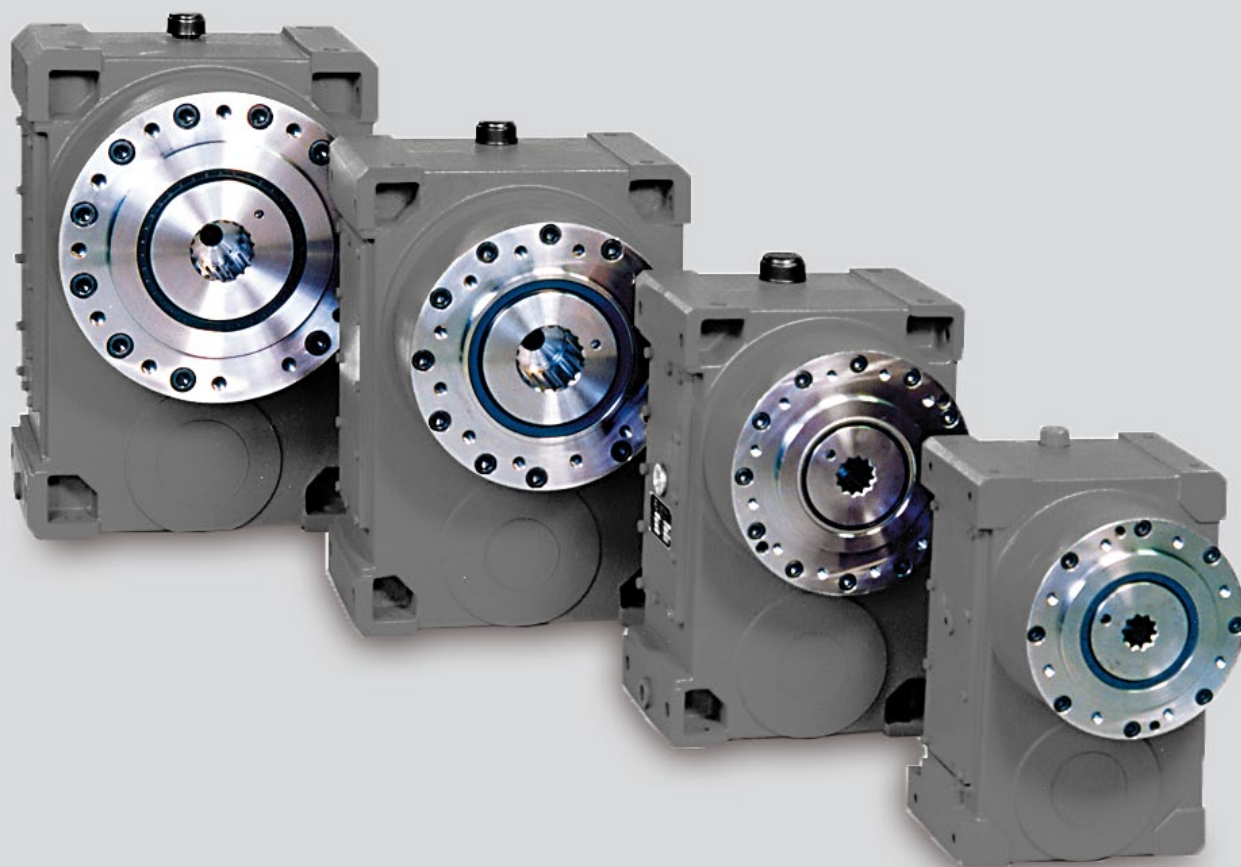


Your specialist for

Spindle drives
Planetary gearboxes
Test bench gearboxes
Spur gearboxes
Bevel gearboxes
Helical bevel gearboxes
Extruder gearboxes
Gearboxes for special applications
Drive elements

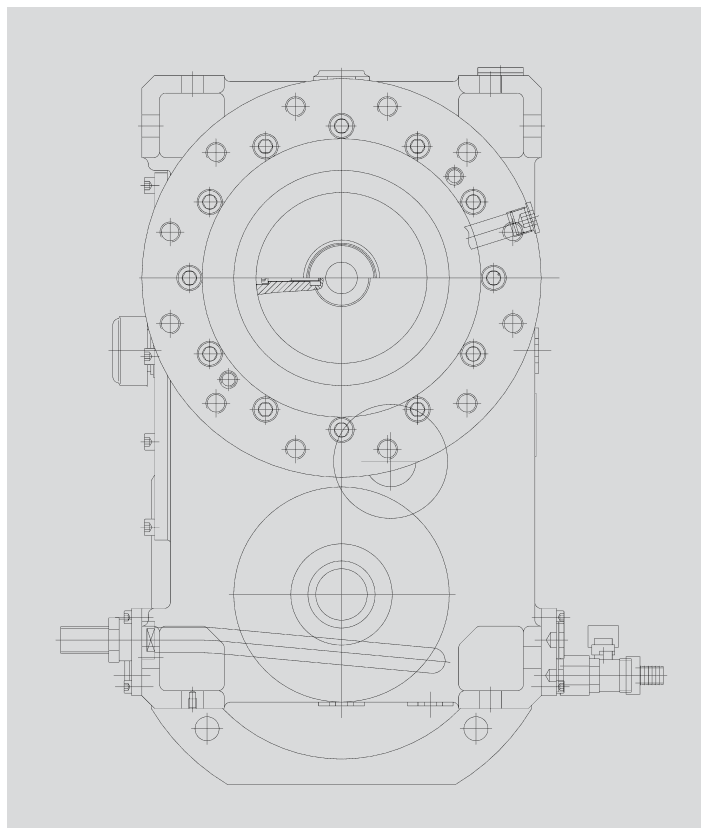
Flat extruder gearboxes FEX – technical data



- 02 | Performance table
- 03 | Performance chart
- 04 | Z design
- 05 | U design
- 07 | Thrust bearings and options

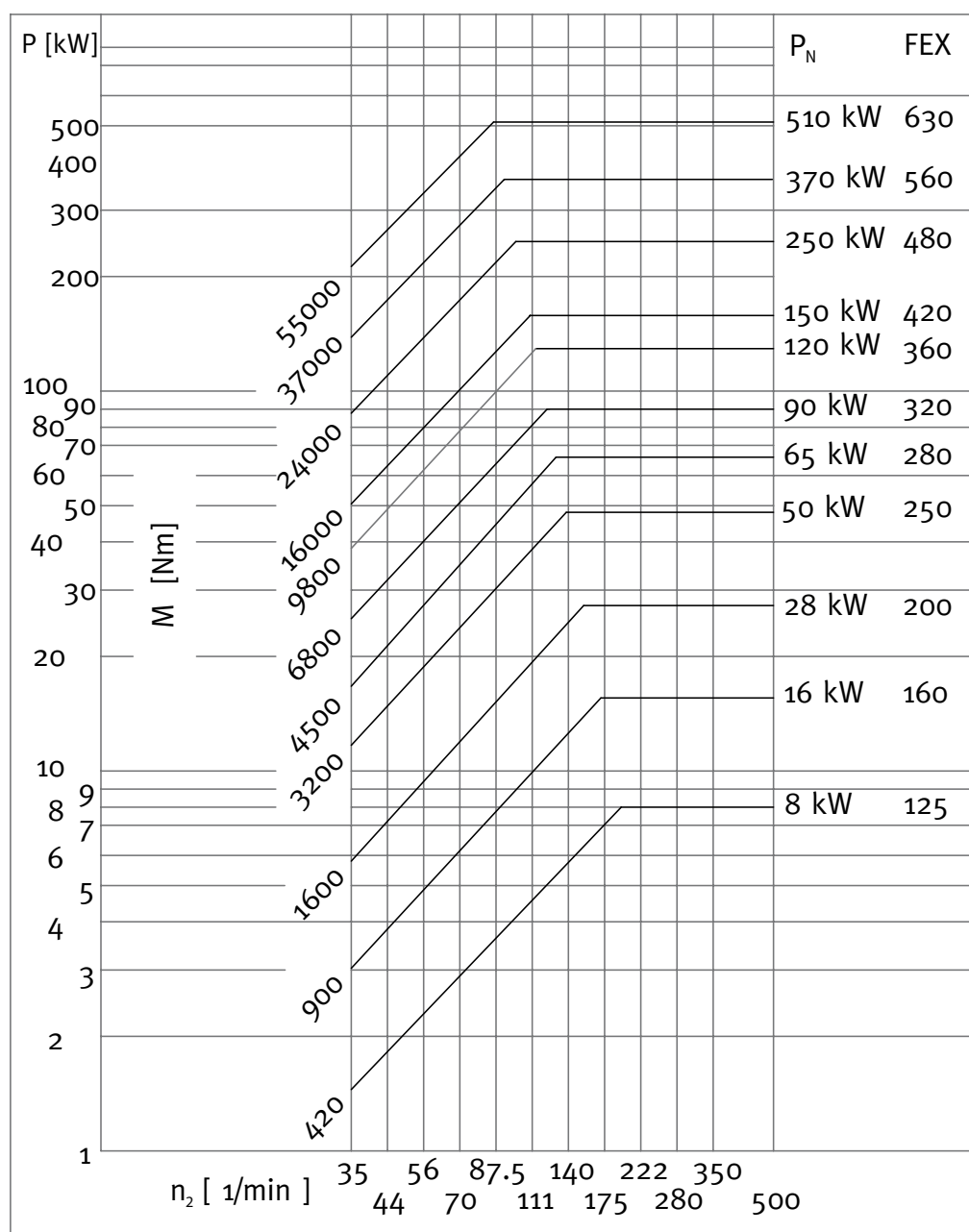
Flat extruder gearboxes FEX – performance table

Size	125	160	200	250	280	320	360	420	480	560	630
Worm diameter [mm]	16 - 25	25 - 35	35 - 45	45 - 65	- 70	- 80	- 90	-110	- 130	- 160	- 190
Drive performance max. [kW]	8	16	28	50	65	90	120	150	250	370	510
Drive speed max. [min ⁻¹]	3,000	3,000	3,000	3,000	2,800	2,400	2,400	2,200	1,800	1,600	1,400
Output torque [Nm]	420	900	1,600	3,200	4,500	6,800	9,800	16,000	24,000	37,000	55,000
Starting torque max. [Nm]	840	1,800	3,200	6,400	9,000	13,600	19,600	32,000	48,000	74,000	110,000
Gear ratio i	10;			12,5;			16;			20;	
Thrust bearing	89308	29412E	29414E	29418E	29422E	29424E	29428E	29432E	29440E	29444E	29452E
Load rating C dyn [kN]	122	345	449	702	1,010	1,170	1,400	1,790	2,760	2,880	3,510
Belt force [N]	750	1,000	1,500	2,500	4,000	5,000	7,000	9,000	12,500	16,000	20,000
Weight without motor ca. [kg]	29	50	102	195	260	290	550	780	1,330	1,980	2,600



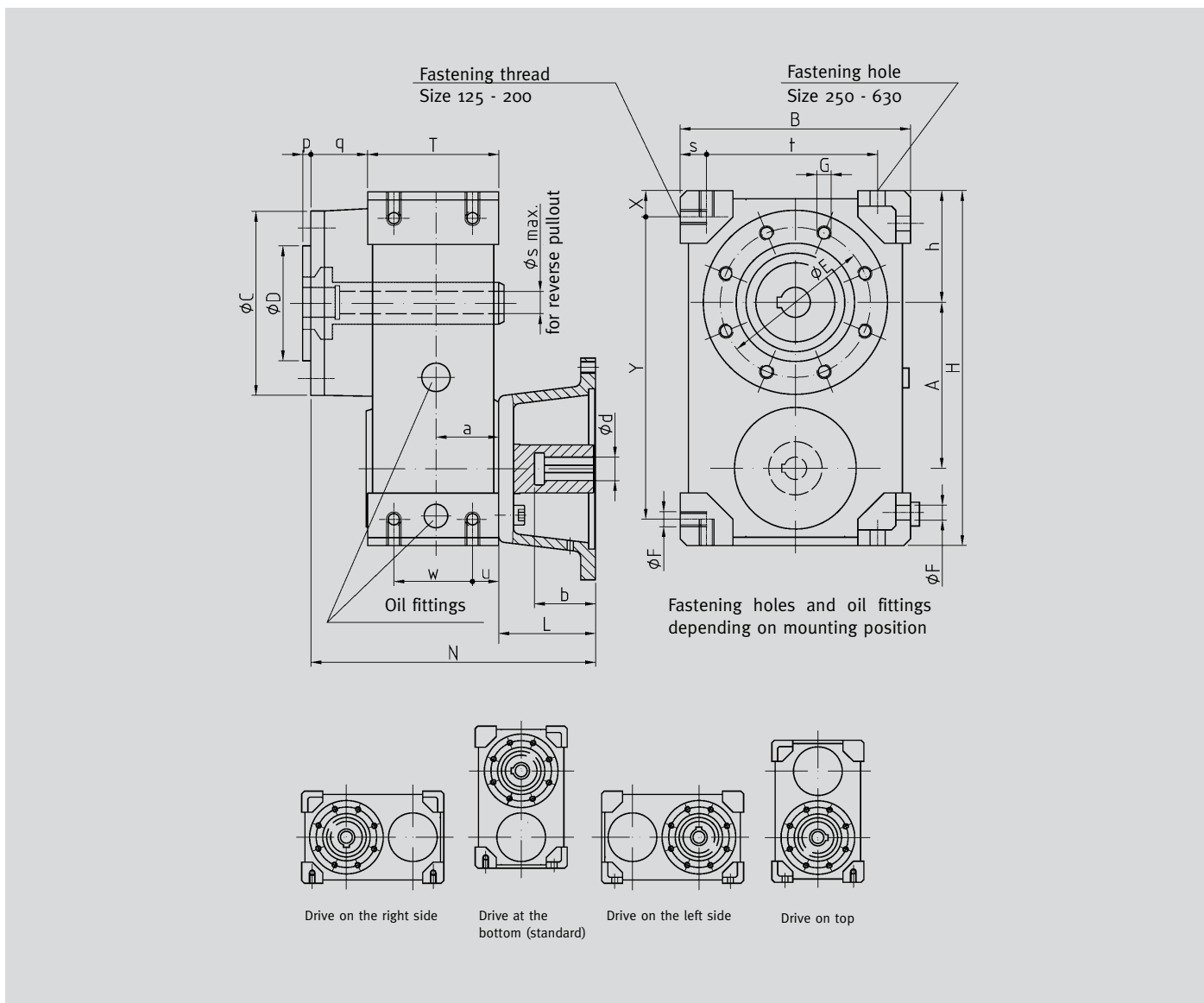
FEX series – available in different sizes

FEX series – performance chart



FEX series – Z design

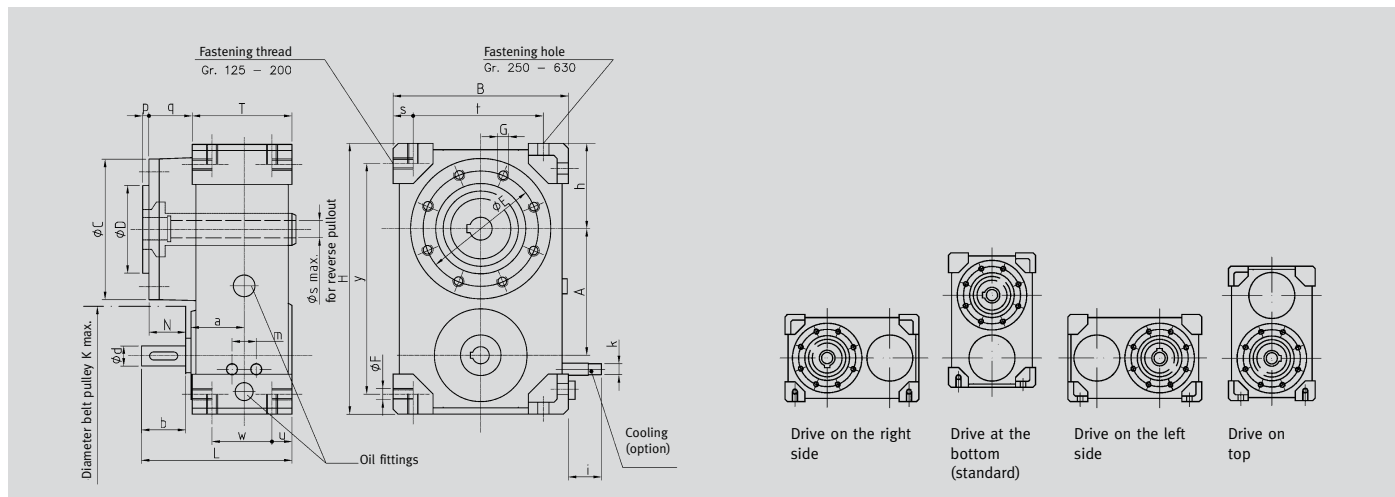
FEX 125



Size	Main dimensions							Drive				Output						
	L	B	H	T	A	N	K	a	d F8	b	h	C	D h7	E	S	G	p	q
FEXZ125	80	160	270	100	125	237	max	50	24	63	80	150	80	110	25	6xM10	7	50

Size	Fastening						
	s	t	u	w	x	y	F
FEXZ125	15	130	15	70	15	240	M8

FEX series – U design



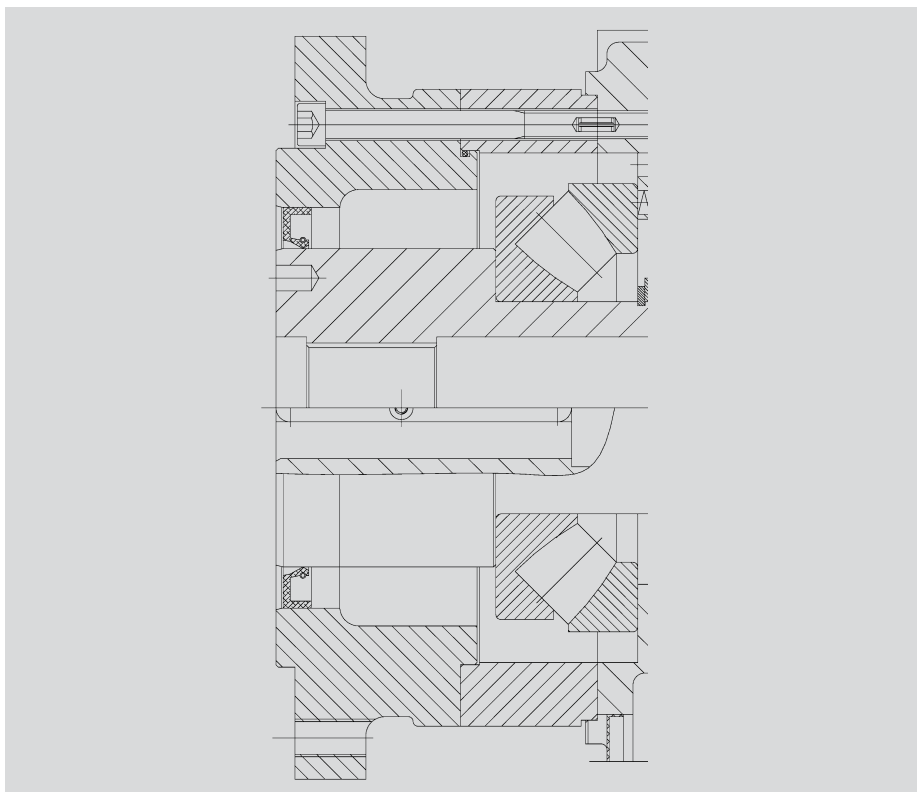
Size	Main dimension							Drive				Output						
	L	B	H	T	A	N	K	a	d k6	b	h	C	D h7	E	S	G	p	q
							max.								max.			
FEXU125	141	160	270	100	125	45	100	50	20	36	80	150	80	110	25	6xM10	7	50
FEXU160	171	200	330	130	160	65	130	65	24	36	100	190	110	140	35	6xM12	7	70
FEXU200	223	260	410	160	200	85	190	80	30	58	130	225	140	170	45	8xM12	8	90
FEXU250	300	315	500	200	250	88	225	100	40	88	160	270	160	225	65	12xM12	8	100
FEXU280	324	400	580	230	280	123	225	115	45	82	200	320	190	240	70	12xM16	8	135
FEXU320	354	450	650	260	320	130	225		50	82	230	360	210	260	80	12xM20	10	142
FEXU360	397	500	720	300	360	145	300		55	82	250	410	240	290	90	12xM20	10	160
FEXU420	465	580	830	350	420	155	350		60	105	290	480	260	320	100	16xM20	10	165
FEXU480	515	660	950	400	480	180	420		75	105	330	530	280	360	130	16xM20	10	190
FEXU560	620	740	1.100	480	560	200	510		80	130	370	600	320	400	160	12xM24	15	210
FEXU630	700	800	1.250	560	630	210	570		85	130	420	680	380	450	190	16xM24	15	220

Size	Fastening							Cooling*		
	s	t	u	w	x	y	F	i	k	m
FEXU125	15	130	15	70	15	240	M8	-	-	-
FEXU160	20	160	20	90	20	290	M10	88	G1/2" a	35
FEXU200	25	210	25	110	25	360	M12	106	G1/2" a	34
FEXU250	40	235	20	160	40	420	17,5	62	G1/2" a	38
FEXU280	50	300	20	190	50	480	18	62	G1/2" a	38
FEXU320	60	330	25	210	60	530	22	23	G1/2" a	70
FEXU360	60	380	25	250	60	600	22	23	G1/2" a	70
FEXU420	70	440	30	290	70	690	26	23	G1/2" a	70
FEXU480	90	480	30	340	105	740	26	23	G1/2" a	70
FEXU560	90	540	40	400	90	920	33	23	G1/2" a	70
FEXU630	90	620	40	480	90	1.070	33	23	G1/2" a	70

*optional

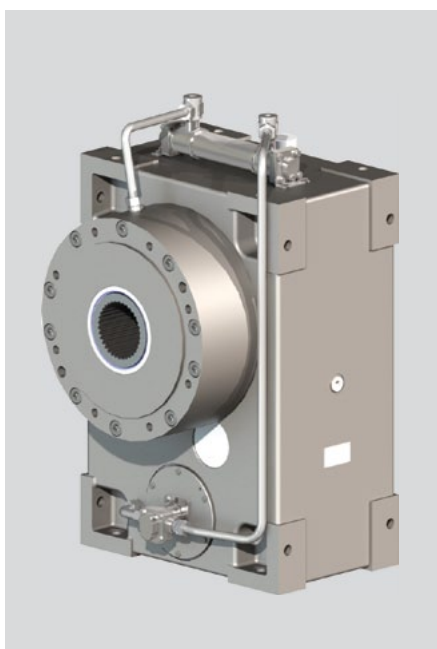
Thrust bearings

Size	normal	max. possible
125	89308	89310
160	29412 E	29415 E
200	29414 E	29417 E
250	29418 E	29420 E
280	29422 E	29424 E
320	29424 E	29426 E
360	29428 E	29430 E
420	29432 E	29436 E
480	29440 E	29444 E
560	29444 E	29448 E
630	29452 E	29460 E



Options

The gearboxes are additionally available with forced cooling and monitoring of temperature and oil.



Gearbox with forced lubrication and external cooling

Quality and precision – certified to ISO 9001:2008 RSGetriebe is able to guarantee precise high-quality special gearboxes and drive elements.

RSGetriebe develops and produces gearbox solutions for many different industries in Sonthofen/Germany.

Customers of RSGetriebe are manufacturers of machine tools, plastic and rolling machines as well as developers of food and packing machines, test benches and textile machines. The

high quality drive solutions are also suitable for use in building, printer and paper machinery as well as in the chemical industry.

A high quality, state of the art machine park and absolute care in assembly form the best basis for your success.

RSGetriebe GmbH
Oberstdorfer Straße 24
87527 Sonthofen · Germany

T: +49 (0) 8321 60771 - 0
F: +49 (0) 8321 60771 - 99

info@rsgetriebe.de

rsgetriebe.de