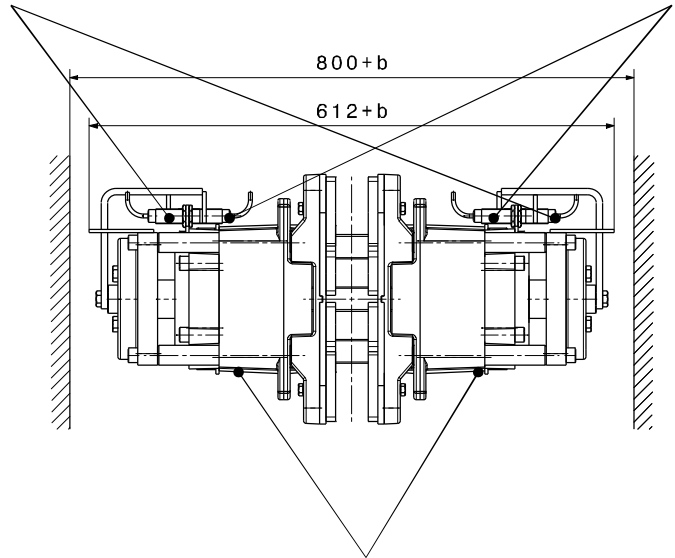
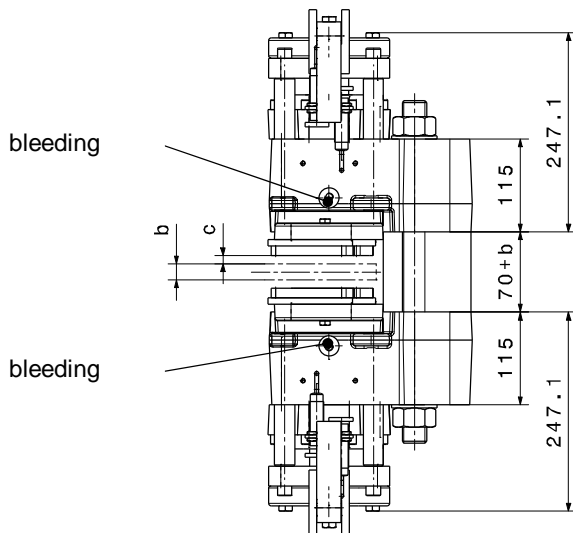


optional limit switch brake open / closed

optional limit switch: lining wear



hydraulic connection M16x1.5



SHI-Type		104	105	
<b>Clamping Force <math>F_A</math></b>				
$F_A$	with airgap $c = 1$ mm	kN	74,1	83,2
$F_A$	with airgap $c = 2$ mm	kN	68,7	77,0
$F_A$	with airgap $c = 3$ mm	kN	62,7	74,4
<b>Torque Calculation</b>				
$M_{Br}$	braking torque	Nm	$2 \times F_A \times \mu \times (d/2-60)$	
<b>Hydraulic</b>				
$P_L$	release pressure	bar	80	95
$P_{max}$	max. pressure	bar	110	150
$V_{max}$	volumen at $c = 2,0$ mm	ltr	0,046	
<b>Brake Discs</b>				
$b$	disc thickness	mm	~ 20	
$d$	disc-Ø	mm	~ 650	
$d_1$	max. hub or drum-Ø	mm	d-280mm	
<b>Dimensions</b>				
L x B x H = 253 x (612+b) x 310 mm				
weight: 130 kg				

Mounting Studs		
$n$	quantity	3
	size, grade	M30, 12.9
$M_A$	fastening torque	Nm 2400 at $\mu = 0,14$
Linings		
	material	sinter
	friction coefficient*	0,4

\*average friction coefficient with standard material combination and a circumferential speed up to 15 m/s