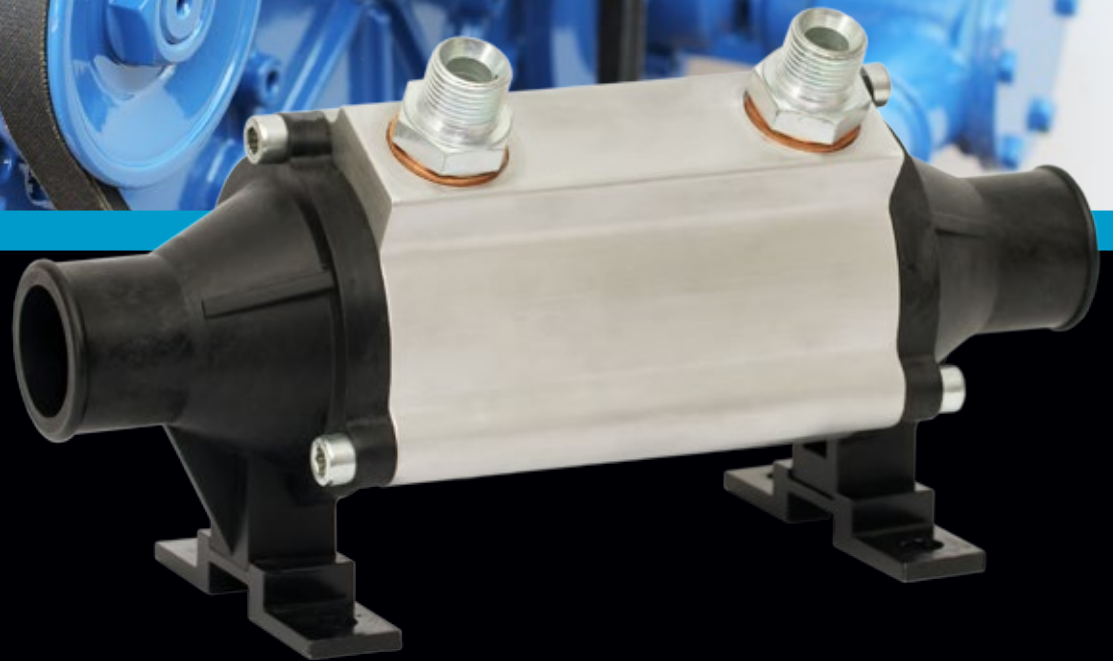




Performance
Cooling
Products

Thermex Gearbox Oil Coolers



Tel: +44 (0) 1527 62210 - www.thermex.co.uk

Zastoupení pro Českou republiku:



BMC-TECH

www.bmc-tech.cz

info@bmc-tech.cz | +420 545 226 047

výměníky tepla thermex

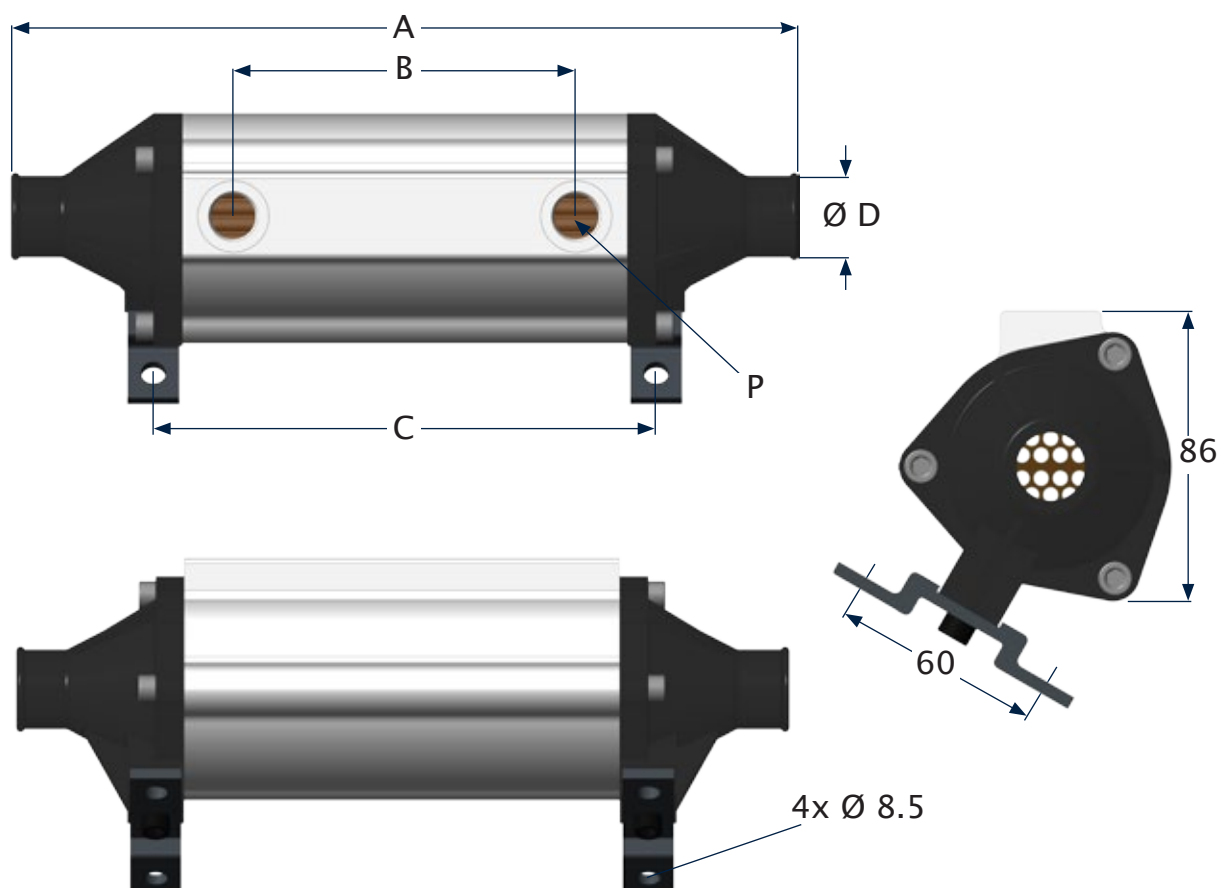
Thermex Gearbox Oil Coolers are a new generation of Marine Transmission Cooler providing an efficient and reliable cooling solution at a competitive price.

Compared with traditional brass tube coolers, the Thermex Gearbox Oil Coolers provide an increase in performance, thanks to the high density tube stack and efficient cooler design. This allows for a smaller cooler to be used reducing costs and space claim.

• Materials

Tubes	-	90/10 Cupro-Nickel
Tube Plates	-	Naval Brass
Shell	-	Aluminium
Headers	-	Glass Filled Nylon (GFN50)

• Dimensions



Model Number	A (mm)	B (mm)	C (mm)	"S" Size D (mm)	"L" Size D (mm)	"S" Size P (BSP)	"L" Size P (BSP)
GB50	242	89	144	28	34	3/8"	1/2"
GB60	271	118	173	28	34	3/8"	1/2"
GB90	315	162	217	28	34	3/8"	1/2"
GB120	433	280	335	28	34	3/8"	1/2"

Part Number

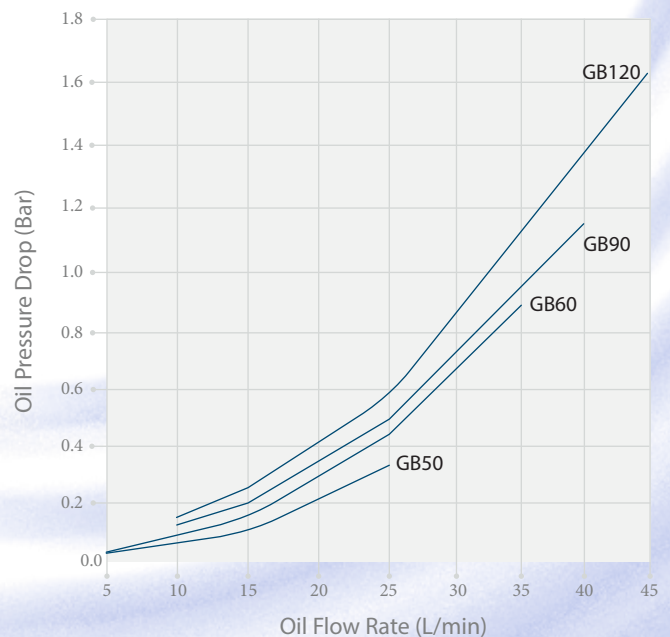
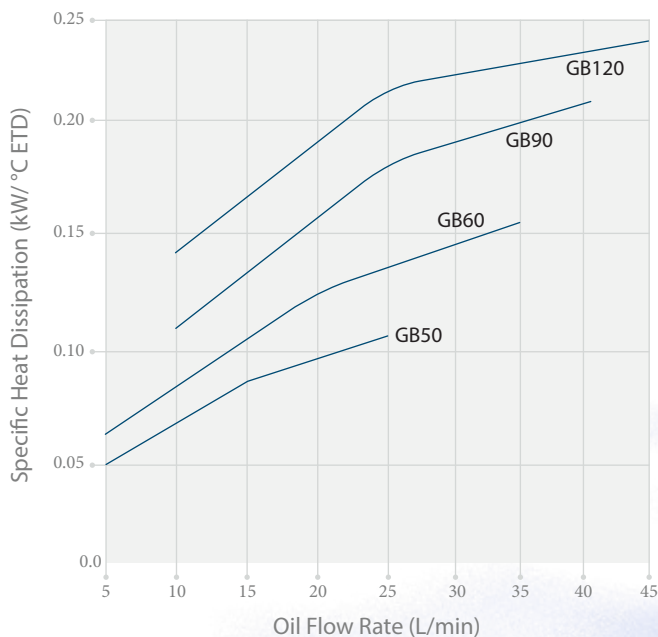
Thermex Gearbox Oil Coolers are available in various lengths with a choice of oil and water connection sizes, making them suitable for a greater number of transmissions and engines.

Start by selecting your model number (see drawings on previous page for dimensions) followed by the oil connection size, then the water connection size and finally your part number based on whether you require the mounting feet shown in the drawing or just two M6 holes (without foot) instead.

Model Number	Oil Circuit Connection Size	Water Circuit Connection Size	Part Number	
			Without Foot	With Foot
GB50	3/8" BSP	34mm	GB50-SLN	GB50-SLF
		28mm	GB50-SSN	GB50-SSF
	1/2" BSP	34mm	GB50-LLN	GB50-LLF
		28mm	GB50-LSN	GB50-LSF
GB60	3/8" BSP	34mm	GB60-SLN	GB60-SLF
		28mm	GB60-SSN	GB60-SSF
	1/2" BSP	34mm	GB60-LLN	GB60-LLF
		28mm	GB60-LSN	GB60-LSF
GB90	3/8" BSP	34mm	GB90-SLN	GB90-SLF
		28mm	GB90-SSN	GB90-SSF
	1/2" BSP	34mm	GB90-LLN	GB90-LLF
		28mm	GB90-LSN	GB90-LSF
GB120	3/8" BSP	34mm	GB120-SLN	GB120-SLF
		28mm	GB120-SSN	GB120-SSF
	1/2" BSP	34mm	GB120-LLN	GB120-LLF
		28mm	GB120-LSN	GB120-LSF

Performance

The figures below were calculated using a transmission fluid equivalent to ISO VG32 grade oil at 85°C and water at 25°C





Thermex Ltd

Merse Road, North Moons Moat, Redditch, Worcestershire, B98 9HL, U.K.

Tel: +44 (0)1527 62210 – Fax: +44 (0)1527 60138

www.thermex.co.uk – sales@thermex.co.uk