



Advanced  
Cooling  
Technology

# Titanium Tube-Stack Heat Exchangers



Zastoupení pro Českou republiku:



**BMC-TECH**

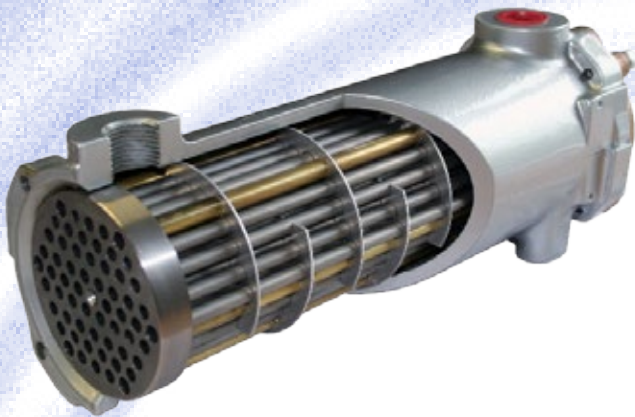
[www.bmc-tech.cz](http://www.bmc-tech.cz)

info@bmc-tech.cz | +420 545 226 047

výměníky tepla thermex

Telefon: +420 1507 4010 [www.thermex.cz](http://www.thermex.cz)

# Introduction



Founded in 1979, Thermex is now recognised as a manufacturer that delivers innovative designs and quality products to a global customer base from its extensive range of liquid and air cooled heat exchangers.

The Thermex standard marine shell and tube range includes; oil coolers, raw water/fresh water heat exchangers, exhaust manifolds and charge air coolers. The removable header and floating tube stack allow easy maintenance supported by the availability of replacement tube bundles and service kits.

The design of Thermex tube stacks is versatile and can be adapted to fit into the bespoke housings of equipment manufacturers. Thermex heat exchangers undergo 100% pressure testing in our factory and can be supplied with full material certification by internationally recognised independent classification societies such as; Lloyds Register, Bureau Veritas, ABS, DNV and NKK is also available.

The reliability of the marine range has resulted in a well earned reputation with established companies from the industry including manufacturers of;

- » Marine Engines and Systems
- » Deck Handling Equipment and Winches
- » Marine Hydraulic Power Packs
- » Marine Generators
- » Marine Gear Boxes
- » Thrusters

## Features and Benefits;

- » Comprehensive Range
- » Shell diameters from 3" to 8"
- » Lengths from 175mm to 1811mm
- » Variety of threaded and hose tail connections
- » Floating tube stack design
- » Easy to maintain and service
- » Sacrificial anodes available on request
- » Leak detection rings (2700 and 2800 series)



# Materials and Configurations

The Thermex Titanium Heat Exchangers are designed and manufactured in the same way that has made our standard oil cooler range one of the most widely used cooling products in the world, but now with the addition of Titanium tube stacks for the ultimate “fit and forget” solution.

Even though Titanium is highly durable, the heat exchangers have still been designed to be easy to service and maintain when required.

## Construction Materials;

### Body

Aluminium 6063 (2300 and 2500 Series)  
Aluminium LM6M (2700 and 2800 Series)

### Tubes

Titanium      Titanium Gr.2

### Tube Plates

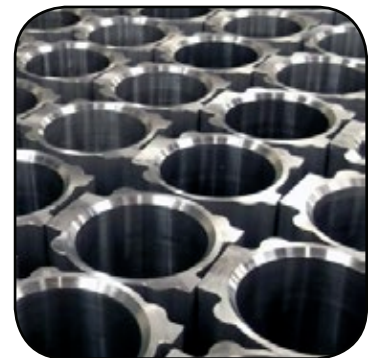
Titanium      Titanium Gr.2

### Headers

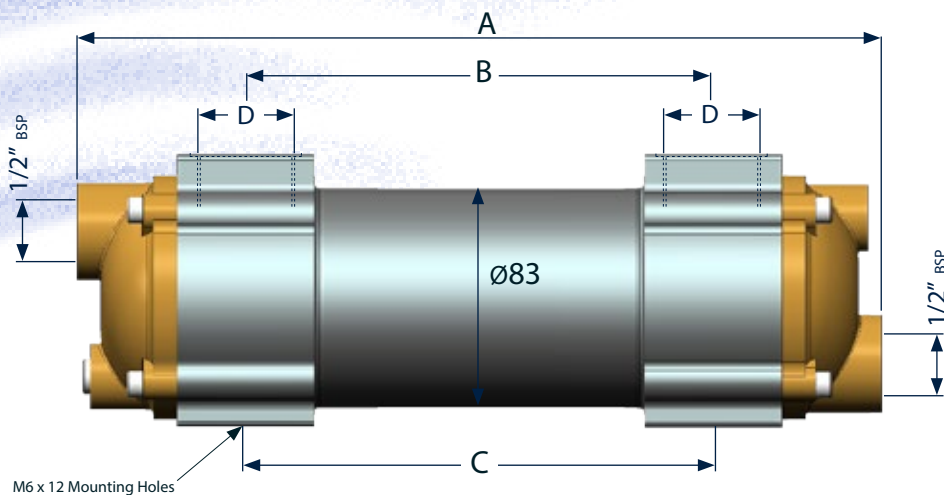
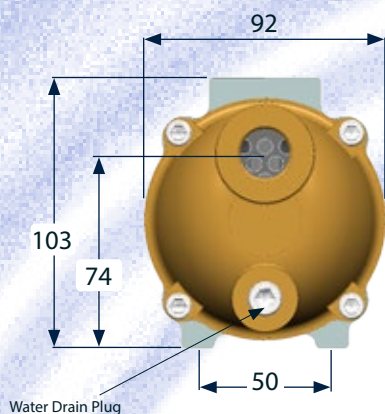
Gunmetal LG2  
(Other materials such as Aluminium Bronze,  
70/30 and Titanium available upon request)

### Seals

Operating up to 100 °C      Nitrile  
Operating up to 120 °C      Viton

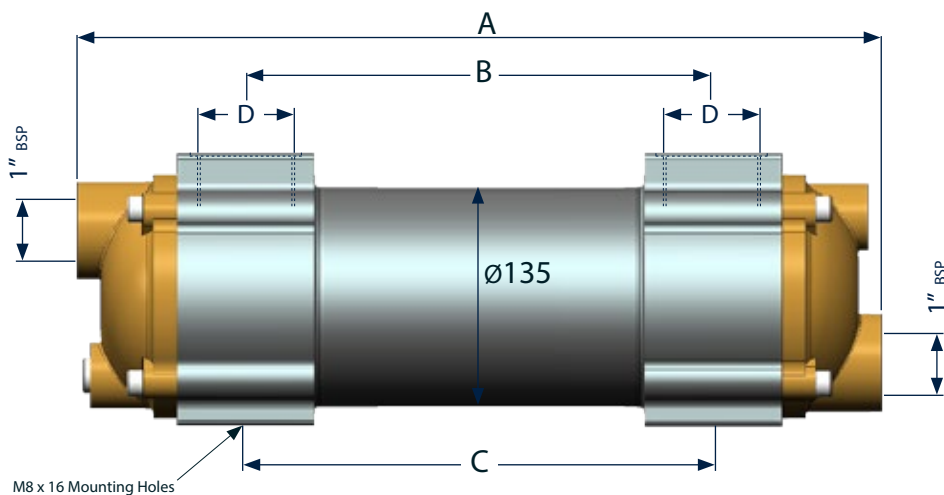
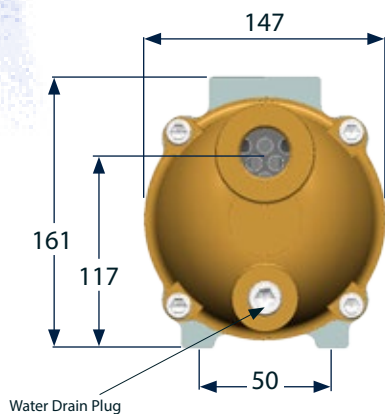


# 2300T Series



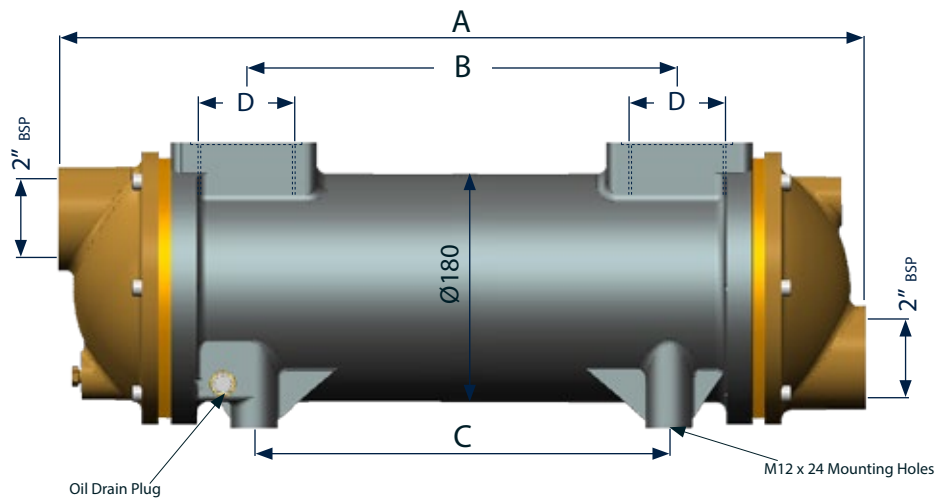
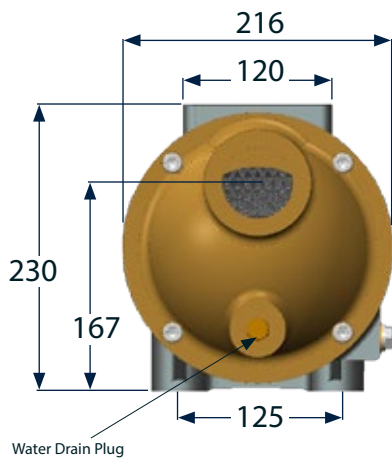
Type	A (mm)	B (mm)	C (mm)	D (BSP)	Kg	Oil Vol (L)	Water Vol (L)
2314T	175	59	*	G 1/2"	3	0.3	0.4
2324T	259	135	117	G 3/4"	4	0.5	0.5
2334T	345	221	203	G 3/4"	5	0.7	0.6
2344T	443	319	301	G 3/4"	5	1.0	0.7
2354T	571	447	429	G 3/4"	6	1.3	0.9
2364T	717	587	575	G 1"	7	1.7	1.1
2374T	895	765	753	G 1"	8	2.2	1.4

# 2500T Series



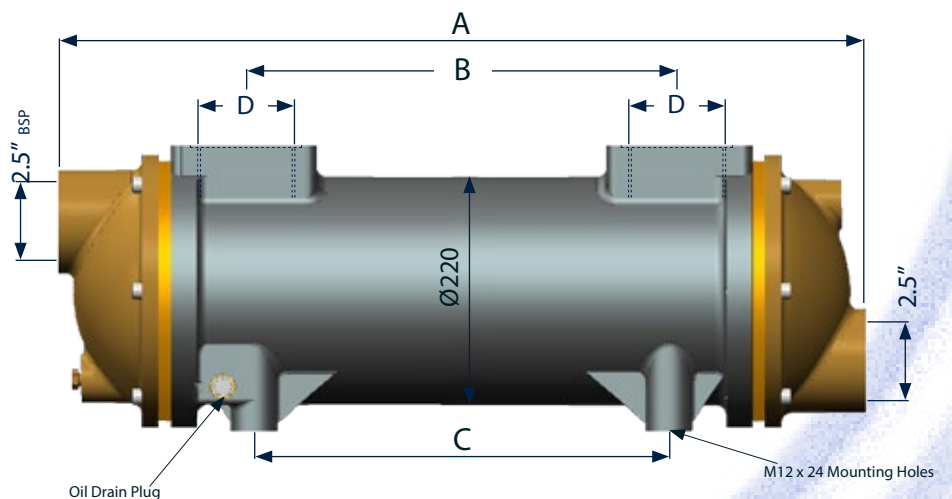
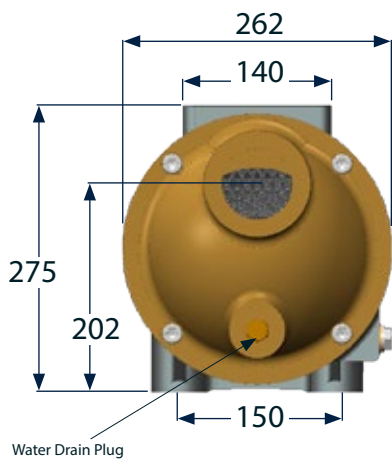
Type	A (mm)	B (mm)	C (mm)	D (BSP)	Kg	Oil Vol (L)	Water Vol (L)
2514T	291	129	75	G 1"	10	1.4	1.4
2524T	377	199	161	G 1 1/4"	12	1.9	1.7
2534T	475	297	259	G 1 1/4"	13	2.5	2.1
2544T	603	425	387	G 1 1/4"	14	3.5	2.6
2554T	749	571	533	G 1 1/2"	17	4.5	3.2
2564T	927	749	711	G 1 1/2"	20	5.8	3.9
2574T	1129	951	913	G 1 1/2"	23	7.3	4.8
2584T	1381	1203	1165	G 1 1/2"	27	9.0	5.8
2594T	1727	1549	1511	G 1 1/2"	32	11.5	7.2

## 2700T Series



Type	A (mm)	B (mm)	C (mm)	D (BSP)	Kg	Oil Vol (L)	Water Vol (L)
2714T	650	326	306	G 2"	38	5.5	5.0
2724T	796	472	452	G 2"	43	7.0	6.0
2734T	974	650	630	G 2"	48	9.0	7.5
2744T	1176	852	832	G 2"	55	11.0	9.0
2754T	1428	1104	1084	G 2"	63	14.0	10.5
2764T	1777	1453	1433	G 2"	74	17.5	13.0

## 2800T Series



Type	A (mm)	B (mm)	C (mm)	D (BSP)	Kg	Oil Vol (L)	Water Vol (L)
2814T	684	326	306	G 3"	48	9.0	7.5
2824T	830	472	452	G 3"	54	11.5	9.0
2834T	1008	650	630	G 3"	62	15.0	10.5
2844T	1210	852	832	G 3"	71	18.5	13.0
2854T	1462	1104	1084	G 3"	82	23.0	15.5
2864T	1811	1453	1433	G 3"	97	29.5	19.0



## Thermex Ltd

Merse Road, North Moons Moat, Redditch, Worcestershire, B98 9HL, U.K.

Tel: +44 (0)1527 62210 – Fax: +44 (0)1527 60138

[www.thermex.co.uk](http://www.thermex.co.uk) – [sales@thermex.co.uk](mailto:sales@thermex.co.uk)